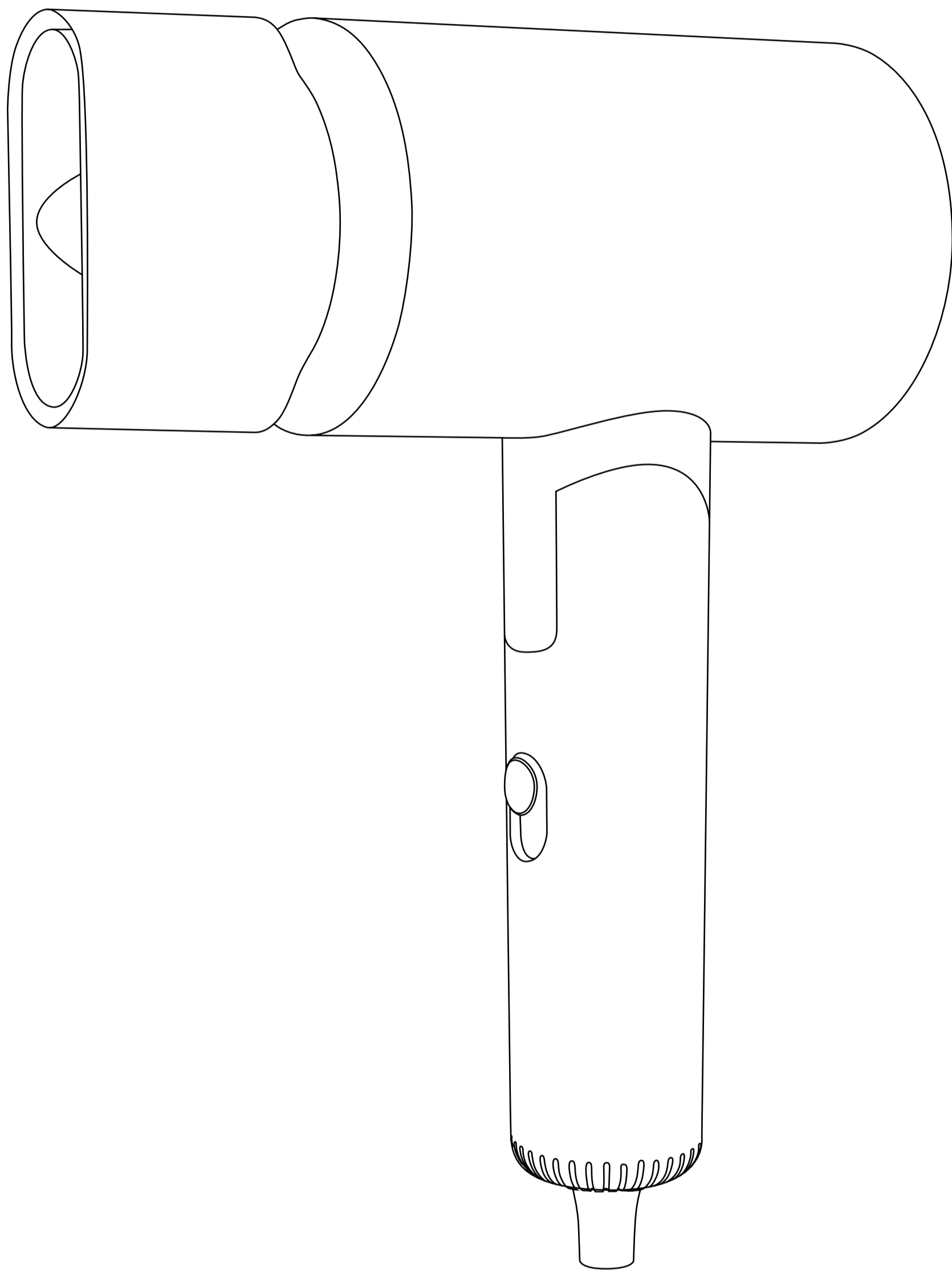


# Hair dryer

FL-1302



IMPORTER TO THE CZECH REPUBLIC:  
Národní export s.r.o.  
Vejvodova 445/1, 110 00 Prague 1  
CIN number: 243 11120  
VAT: CZ243 11120  
Registered under file number:  
C195528/MSPH

**BOHÈME**  
**COLLECTION**

## PART IDENTIFICATION

1. Air outlet

2. Handle

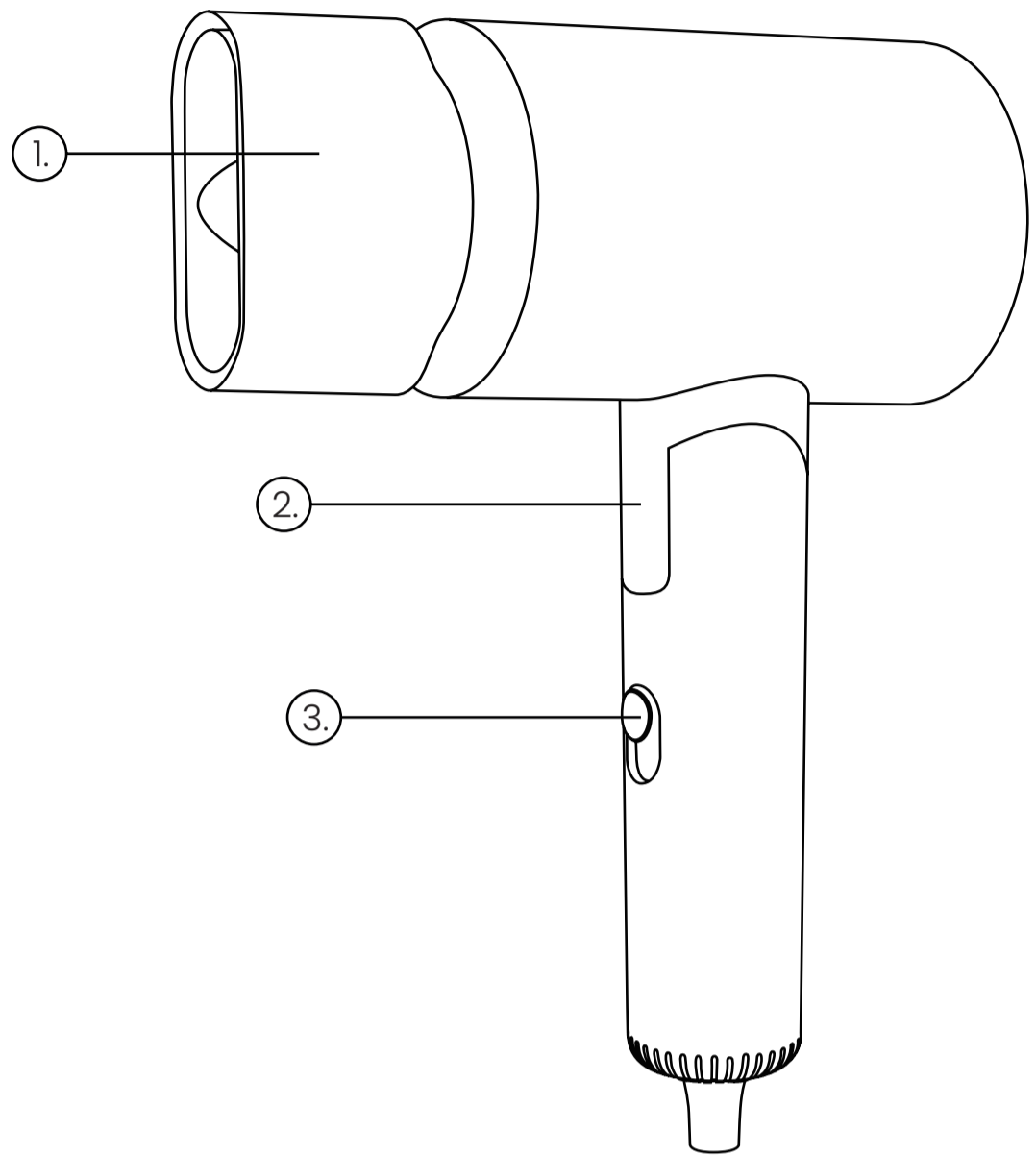
3. Power Switch

III : Cool Air

II : Healthy warm air

✱ : Strong Airflow

0 : Off



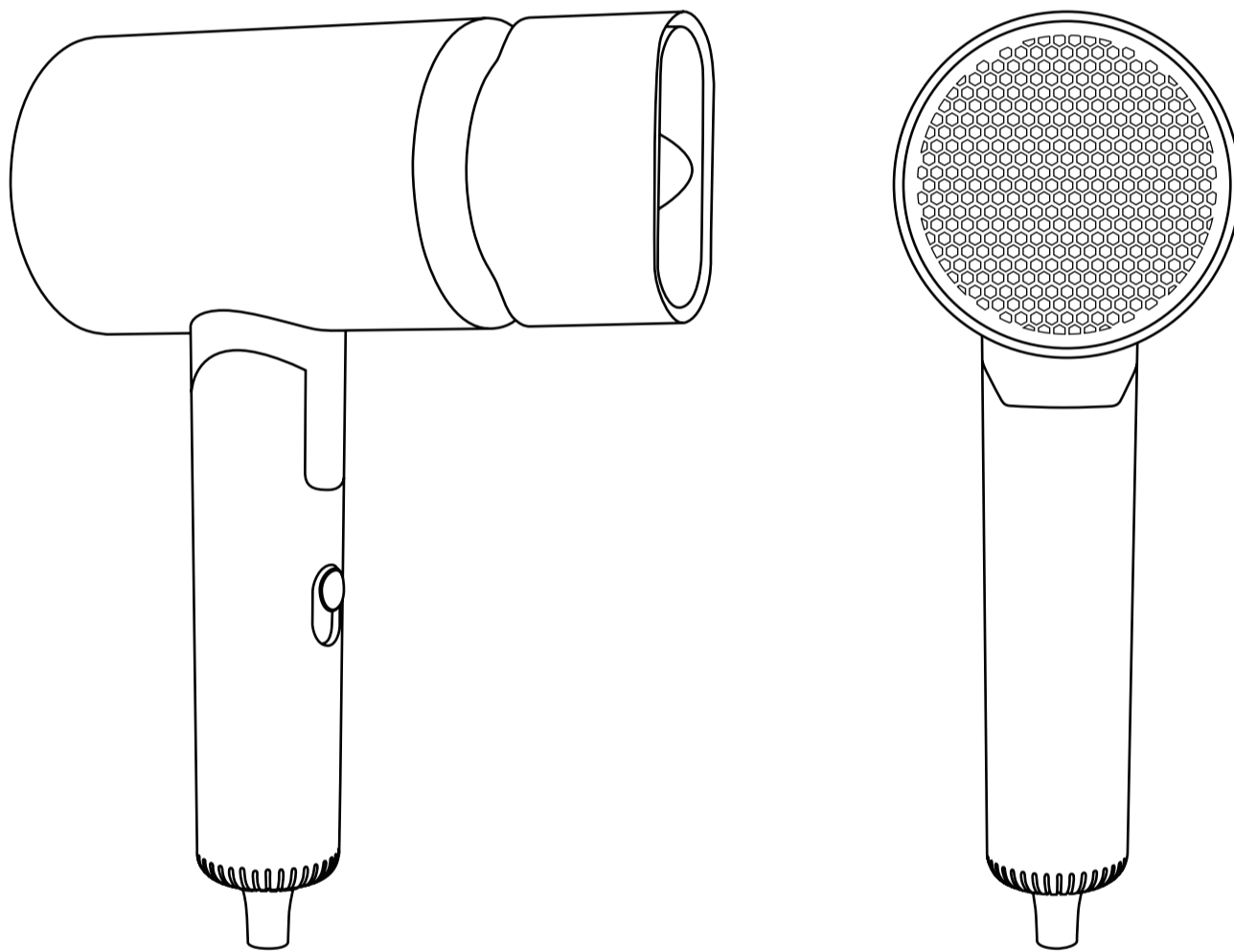
## SPECIFICATIONS

Product Name	Hair Dryer
Rated Voltage	220-240V
Rated Frequency	50/60Hz
Rated Power	1600W 1800W

## GENERAL MAINTENANCE

### STORAGE

- Always store dryer inside the base.
- Do not mount or store dryer in an area with excessive heat or moisture.
- Do not wrap cord around dryer. Allow to hang loosely from dryer.
- Do not hang dryer by cord or use cord as a handle.
- Store in a cool, dry place and out of reach of children.
- Clean the main body when the hair dryer gets dirty.
- Clean the housing only with a soft cloth slightly dampened with tap water or soapy tap water.



### NOTES

- Do not use alcohol, polish remover, or detergent (liquid hand soap, etc.).
- Doing so may cause malfunction, cracking/discoloration of parts etc.
- Leaving the hair dryer with hair products or makeup still adhered to the handle or body may degrade the plastic, causing discoloration or cracking, and malfunction.
- Using a soft brush, clean the outside of the FILTER regularly to help maintain optimal performance and to prevent build-up of hair and other debris in the internal components.

## CAUTION

- Close supervision is necessary when this unit is used by or near children or those who are disabled.
- Use this unit only for its intended use as described in this manual.
- Unplug this unit during lightning storms or when unused for long periods of time.
- Never drop or insert an object into any opening.
- Protect the power cord from being walked on or pinched, particularly at plug outlets, convenience receptacles and the point where it exits the unit.
- Do not allow cord to touch hot surfaces. Wrap cord loosely around the unit when storing.
- The unit should be situated away from direct sunlight or heat sources such as radiators, electric heaters, heat registers, stoves, or other units (including amplifiers) that produce heat. Avoid placing on top of stereo equipment that radiates heat.
- Never block the air openings of the unit with materials such as clothing, plastic bags or papers, or place it on a soft surface such as a bed or couch, where the air openings may be blocked.
- Do not overload electrical outlet. Use only the power source as indicated.
- Do not carry this unit by cord or use cord as handle.
- Never operate this unit if it has a damaged cord or plug, if it is not working properly, or if it has been dropped or damaged or dropped into water. If the unit's power supply cord or plug is damaged, do not attempt to fix it yourself.
- To avoid the risk of electric shock, do not disassemble or attempt to repair the unit. Incorrect repair can cause risk of electric shock or injury to persons when unit is used.
- Do not operate in the presence of explosive and/or ammable fumes.

## WARNING

- Never look directly into the barrel of the hair dryer when it is blowing air.
- Always inspect the unit before use for noticeable signs of damage. Do not use if damaged or if it has been dropped.
- Do not leave unattended when turned on or plugged in.
- The hair dryer is equipped with a safety thermostat. In case of overheating, the dryer will run hot and cold intermittently.
- In the event of this happening, turn the dryer off, unplug and allow to cool for 10-15 minutes before using again.
- Ensure that the rear air vents are clear of hair and other debris. Then plug in and turn on the hair dryer again.
- Take care that the air vents do not become blocked when in use. Ensure the rear filter is clear of hair and other debris before use.
- Do not place the unit on any surface while on. Take care that the hot surfaces of the unit do not come into direct contact with the skin, in particular the ears, eyes, face and neck.
- Keep out of reach of children.
- Allow unit to cool before storing.

## TROUBLESHOOTING

### Cool air is coming out of the hair dryer (even when the High Heat setting is selected).

- This could be caused by a blockage of dust or some other obstruction in the air intake grill. Power off the dryer and unplug it from the power source.
- Use a soft bristle brush to gently remove any particles lodged in the filter.
- If this does not fix the problem, please contact customer service.

### The hair dryer is overheating.

- Overheating can be caused by a blockage in the air intake grill or airflow outlet of the dryer. Check for hair, dust, or some other obstruction that could be blocking the airflow.
- The plug of the hair dryer is very hot.

- Check to make sure that the plug is not loose from the socket. Tight contact is necessary for optimal performance.
- There is a spark coming from the outlet when the hair dryer is plugged in.
- Check to make sure there is no dust, hair or other blockage in the air intake grill or airflow outlet. Power off the dryer and unplug it from the power source. Use a soft bristle brush to gently remove any particles lodged in the filter. If this does not fix the problem, please contact customer service.

## The hair dryer has no airflow or intermittent airflow.

- The power cord could be damaged. Please stop use and contact customer service.
- The power cord on the hair dryer is hot or discolored.
- The power cord could be damaged. Please stop use and contact customer service.

### **WARRANTY**

- This warranty is for the original purchaser of the hair dryer, and is non transferable. We warrants that hair dryer will have no defects in material and workmanship under normal household usage for 24 months from the date of purchase.
- Keep the original sales receipt for proof of purchase to attain warranty provisions. Within a one year period from the date of purchase, we will repair or replace, on its own accord, any hair dryer or parts found to be defective. This warranty does not cover any shipping and handling charges which may incur. This warranty does not include any damages caused by accident, misuse, neglect, abuse, use on a voltage other than marked on the product, or use for commercial purposes.
- If your hair dryer is found to be defective within the time period of this warranty, please contactour Customer Service Department. If the product is discontinued or no longer available, a replacement may be made with a similar product of equal or greater value. Any attempt to repair or service this product on your own will void the warranty.