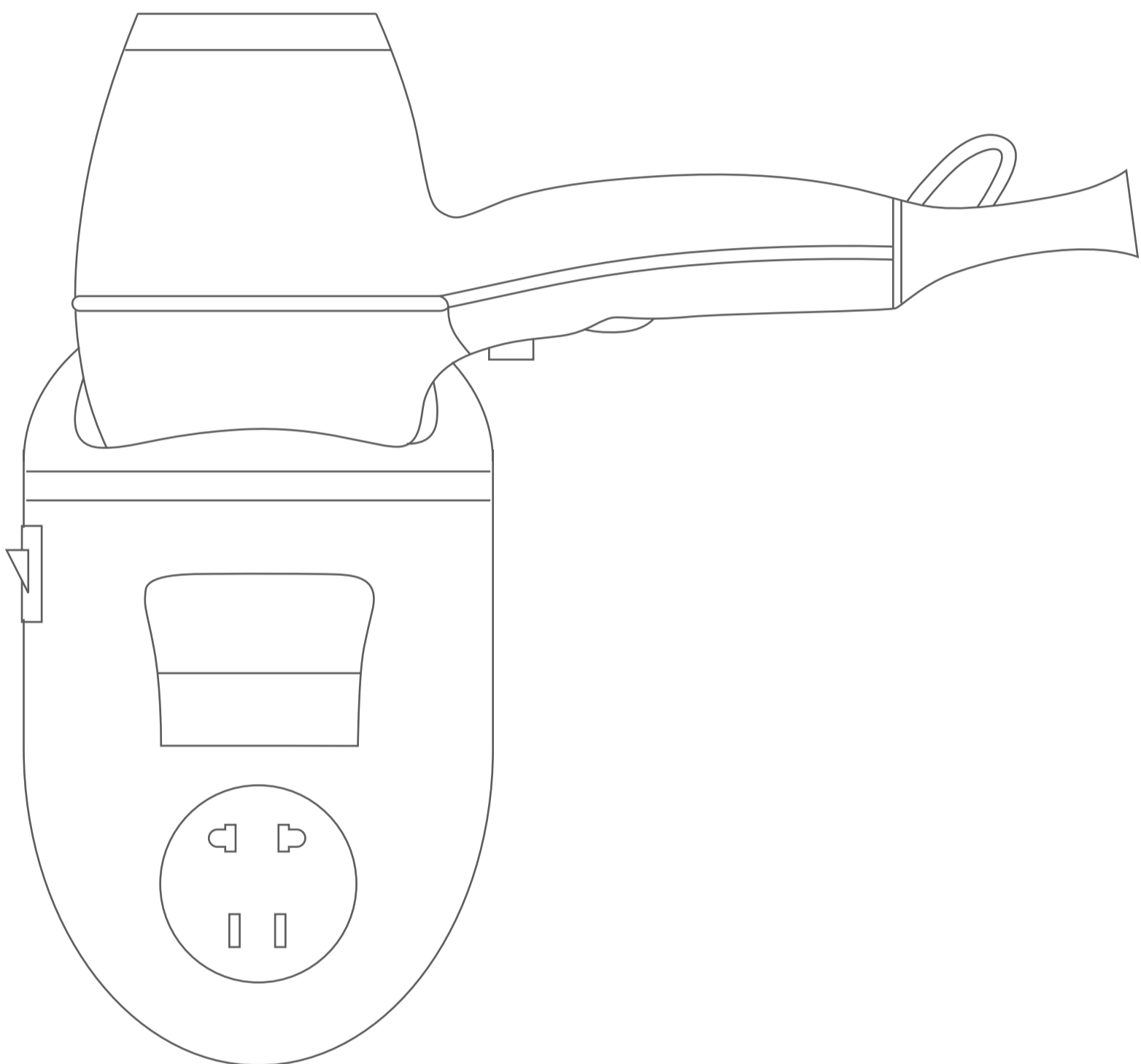


# Wall mounted hair dryer - operation instruction

FL-2205



IMPORTER TO THE CZECH REPUBLIC:  
Národní export s.r.o.  
Vejvodova 445/1, 110 00 Prague 1  
CIN number: 243 11120  
VAT: CZ243 11120  
Registered under file number:  
C195528/MSPH

**BOHÈME**  
**COLLECTION**

# DEAR CUSTOMER

Thank you for your purchase.

We are sure you will enjoy using our hair dryer. Please read the safety instructions before using this hair dryer. Protect yourself and others by observing all safety information. Retain instructions for future reference.

## TECHNICAL DATA

Rated Voltage: 220-240V

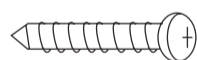
Rated Frequency: 50/ 60 Hz

Rated Power: 1800W

## PRODUCT FEATURE

Exclusive individual use bathroom wall mounting hair dryer provide powerful drying with an eco-friendly consumption and a great range of adjustable settings for added users' comfort. With a generous rated power of 1,800 watts, such a hair dryer will offer several air speed and temperature settings. Its push button requires that the user constantly pressing it, the unit works just when necessary, ensuring safety and cost saving. One on & off switch on the hair dryer holder reinforces safety and supplied with a secure shaver socket for maximum convenience.

## FIXING PACK



3x Install screw

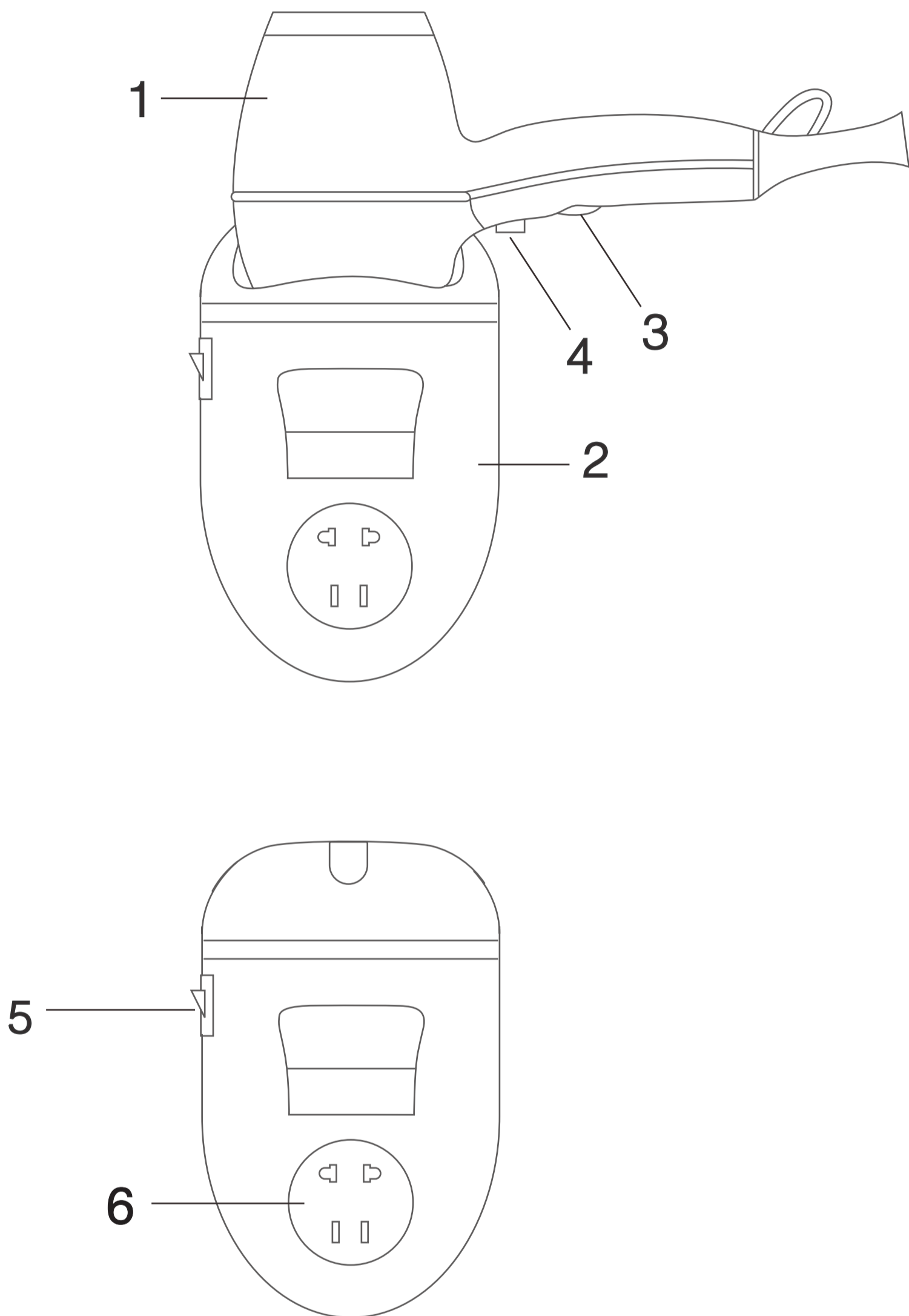


1x Pothook

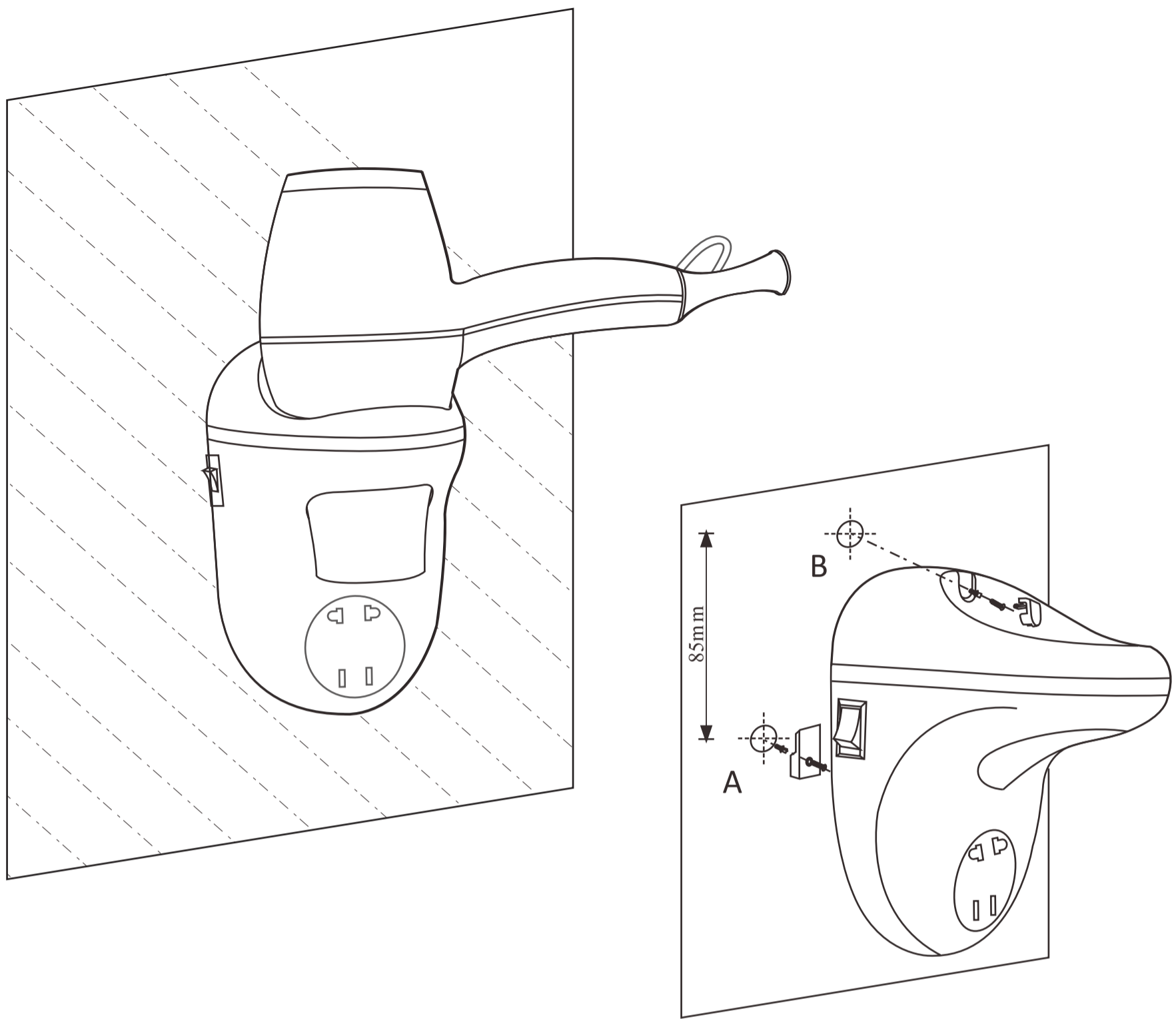


3x Wall plug

## PARTS IDENTIFICATION



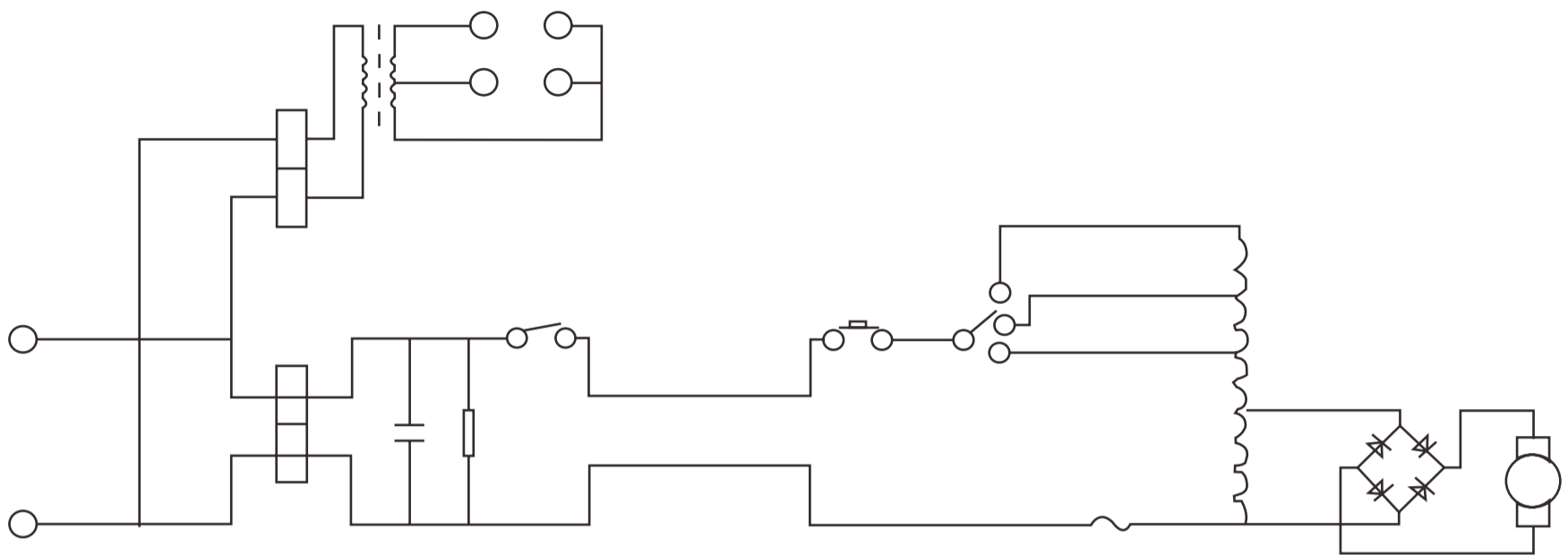
1. Hair Dryer
2. Base Unit
3. Power Switch
4. Push-button
5. On/off power switch
6. Shaver Socket



## INSTALLATION

1. Mark the wall with a pencil to indicate the location of the bracket and use a drill and 6mm masonry bit to drill 2 holes on the marked point (A, B).
2. Insert the wall plug into the hole and hang the pothook on the wall plug (point B) then insert the screw.
3. Hang the base unit on the bracket
4. Insert the screw in to the wall plug (point A) and cover the screw hole with the screw cap.
5. Connect with general power and move power switch to "ON" position.

## ELECTRICAL INSTALLATION



### CAUTION



This appliance is not intended for use by persons (including children) with reduced physical, sensory or mental capabilities, or lack of experience and knowledge, unless they have been given supervision or instruction concerning use of the appliance by a person responsible for their safety.

The hair dryer is fitted with an automatic overheating protection device. In the event of the unit overheating the hair dryer will switch off. Unplug the unit from the mains and allow to cool.

Never use the product near any source of water such as wash basins, baths, sinks etc.

Never immerse the product in any water or other liquids.

Never use the product with wet hands.

Never insert foreign objects into the air inlet or outlet.

## **WARNING**

Do not operate the appliance with a broken cord or plug, or if the appliance malfunctions, or is dropped or damaged in anyway.

If the supply cord is damaged, it must be replaced by the manufacturer or its service agent or a similiary qualified person in order to avoid a hazard.

Do not let the cord hang over the edge of the work surface or let it touch any hot surfaces.

The use of attachments that are not supplied by the manufacturer may cause fire, electric shock or injury and damage to the appliance.

## **GENERAL MAINTENANCE**

Always unplug the hair dryer before cleaning.

Use a slightly damp cloth to clean the body of the hair dryer, and dry with a clean cloth.

Store the appliance in a drawer away from dust or moisture if do not use the appliance in a long time.

## **GUARANTEE**

This product is guaranteed against defects in material and workmanship for a period of 24 months from the date of original purchase.

If this hair dryer become defective during the guarantee period,return it to the store of purchase together with your proof of purchase for repair or replacement.

The guarantee become invalid in the case of misuse, alteration or repair by unauthorised persons.

If your hair dryer occurs a problem outside of the warranty period, we offer a pay-for-service where we can collect and professionally repair your hair dryer.