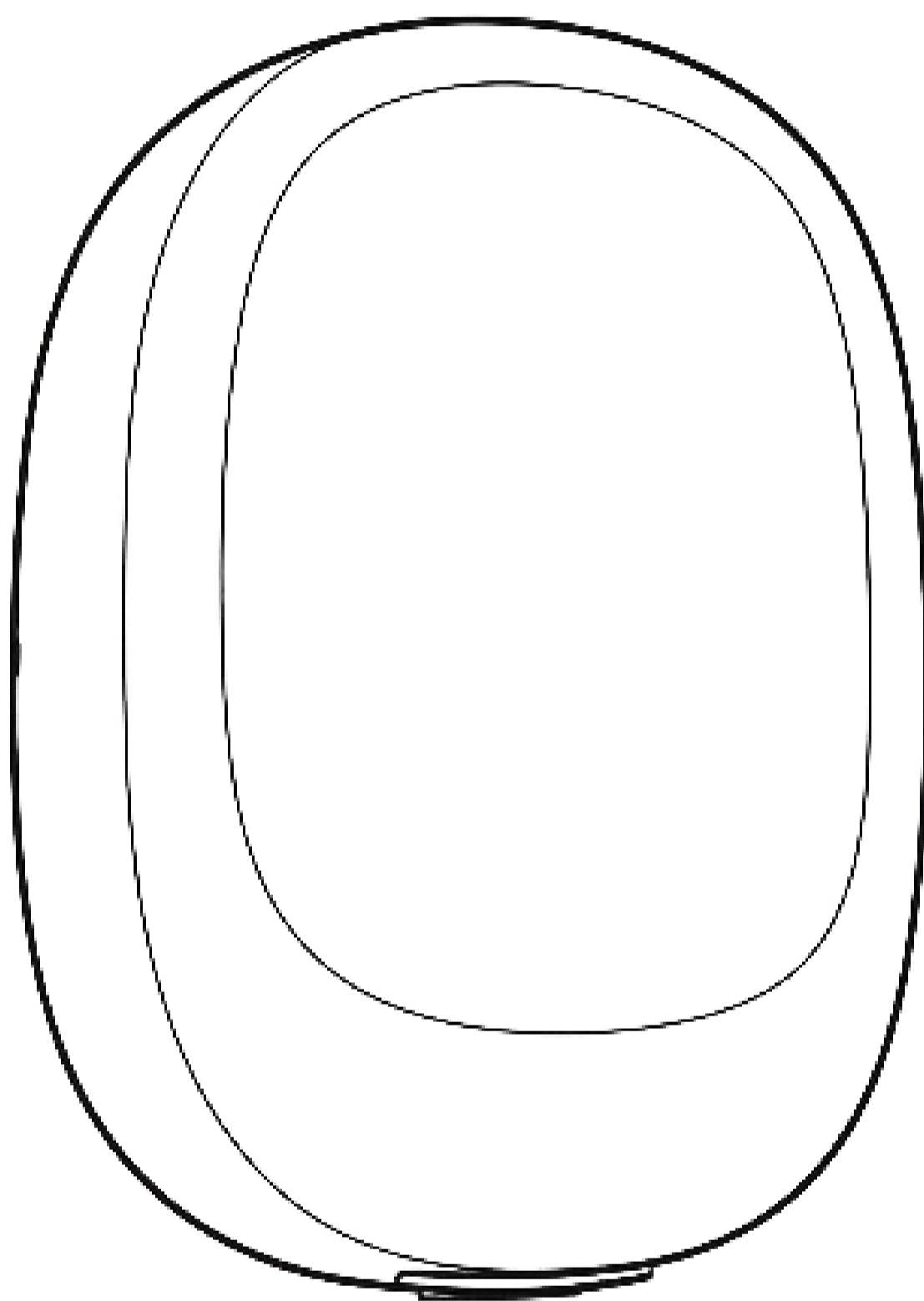


High speed mini hand dryer - operation instruction

FL-2501



IMPORTER TO THE CZECH REPUBLIC:
Národní export s.r.o.
Vejvodova 445/1, 110 00 Prague 1
CIN number: 243 11120
VAT: CZ243 11120
Registered under file number:
C195528/MSPH

BOHÈME
COLLECTION

DEAR CUSTOMER

Thank you for choosing our High speed mini hand dryer.

Please read carefully before attempting to install, operate or service the product.

Protect yourself and others by observing all safety information.

Retain instructions for future reference.

PRODUCT FEATURES

1. Sensor operated high-speed hand dryer with free-maintenance brushless motor, ensuring long lifespan, being ideal for an intensive usage.
2. The rotate speed of motor can reach 110000rpm, efficiently drying your hands within a short time.
3. No-touch operation can effectively preventing cross infection of bacterial and dual side HEPA notably improving the air quality.
4. It will stop working automatically after 60s continuous operation which can avoid extra continuous misoperation caused by people on purpose or machine itself.
5. Flexible installation options make maintenance much more efficient and reduce its costs.

TECHNICAL SPECIFICATIONS

Rated Voltage: 220-240 V	50/60Hz
Rated Voltage: 110-127 V	50/60Hz
Rated Power: 1000 W	Sensor Distance: 5-20 cm
Environment Temperature: -5 - 50° C	Installation: Wall-mounted
Installation: Wall-mounted	Water Splash Proof: IPX1
Water Splash Proof: IPX1	Unit Size: 226 * 162 * 92 mm

PACKING LIST

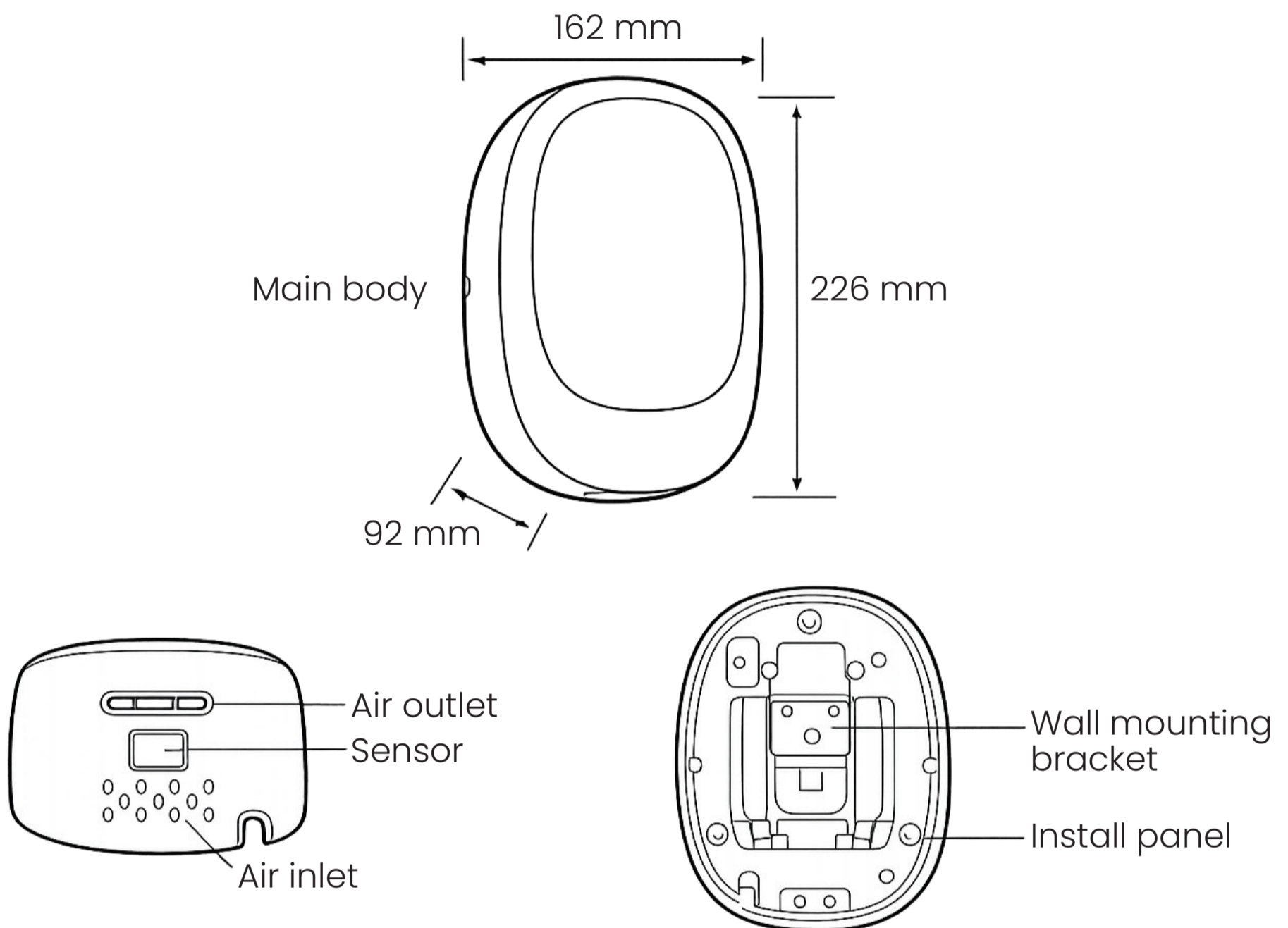
Main unit x 1

Install Screw x 3

Wall Mounting Bracket x 1

Expansion Pipe x 3

NAME OF COMPONENTS



NOTICE ITEMS BEFORE INSTALLATION

PLEASE PROTECT YOURSELF AND OTHERS BY OBSERVING ALL SAFETY INFORMATION

Warning:

Failure to accurately follow the instructions before installing or servicing may result in fire, electric shock or personal injury.

Caution:

Improper mounting could result in personal injury and/or property damage

WARNING

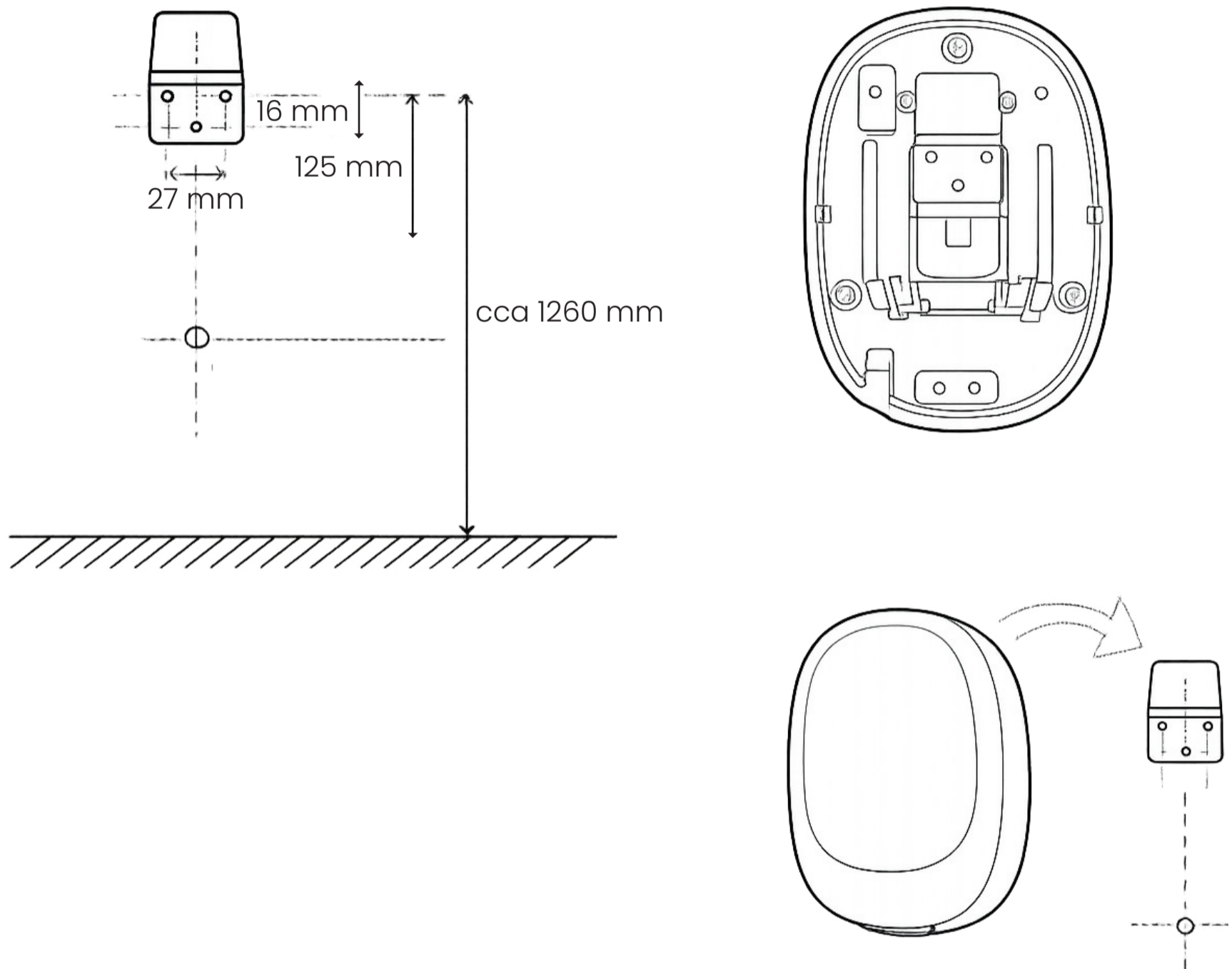
- Do not use in locations where salt water damage may occur or where corrosives are present.
- Do not use in areas with high humidity and dustiness as well as avoid condensation on the product.
- Always disconnect the power source before servicing or installing the hand dryer
- Installation work must be done by qualified personnel in accordance with operation instructions
- Do not attempt to repair or take apart the hand dryer yourself

CAUTION

- Install securely in a location strong enough to support the weight of the unit.
- Install the hand dryer on a smooth surface and in an area where people are not likely to collide with the object once installed.
- Do not install this hand dryer above sources of water such as sinks or taps.
- Ensure a clear space of at least 400 mm around the air nozzle.
- This unit has been designed for indoor use only, protected from water, sun and extreme temperatures. Do not use outdoors or close to moisture and heat generators.

INSTALLATION

1. Select a desired height mounting location for the hand dryer (see mounting height recommendations).
2. Using the screws and expansion pipes to fasten the wall mounting bracket to the wall then attach the dryer.



RECOMMENDED MOUNTING HEIGHTS:

Men: 50" (1270 mm)

Women: 47" (1194 mm)

Children 11-16 years: 41" (1040 mm)

Children 4-10 years: 35" (890 mm)

Handicaped: 40" (1016 mm)

OPERATION

When using the High speed mini hand dryer please shake off any excess water before placing hands under air outlet, the dryer will start automatically when hands are placed under air outlet and stop automatically after hands have been removed.

1. Place hands under the outlet to start operation.



2. Slowly move hands back and forth through the air jet for a while.



3. Rub hands lightly and rapidly.



GENERAL SAFETY INFORMATIONS

Warning:

1. Do not touch power source with wet hands.
2. Do not place foreign objects in the unit or use flammables cover the unit.
3. Young children or persons with physical, sensory or mental disabilities should be supervised when using the appliance.
4. If the power supply cord is damaged, it must be replaced by the manufacturer or its service agent or a qualified person in order to avoid a hazard.

GENERAL MAINTENANCE

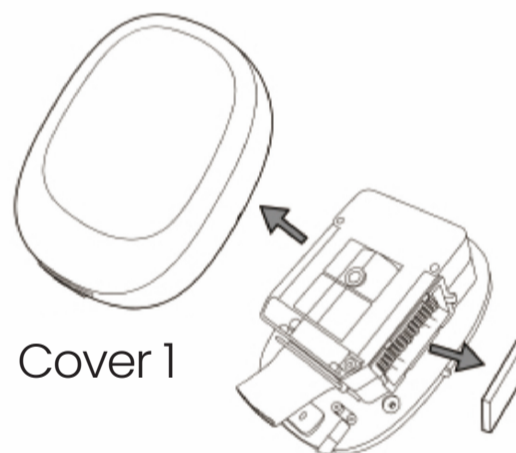
1. Surfaces of the unit should be cleaned with a soft cloth dampened with neutral cleaning agent. Do not use caustic solutions or abrasive cleaning materials on the dryer.
2. Prevent the water from flowing or spilling into the interiors of machine.
3. Always use genuine spare parts when old parts need to be replaced.
4. Disconnect the power source and contact with qualified maintenance personnel for service when machine error happened.
5. Must be pulled out the power supply and placed in the shade and dry place if don't use the device in a long time.

FILTER MAINTENANCE

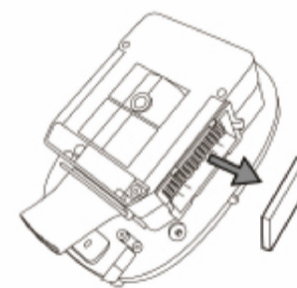
Caution:

If the HEPA filter is not cleaned or replaced in time, it may interrupt air flow and overheat the motor.

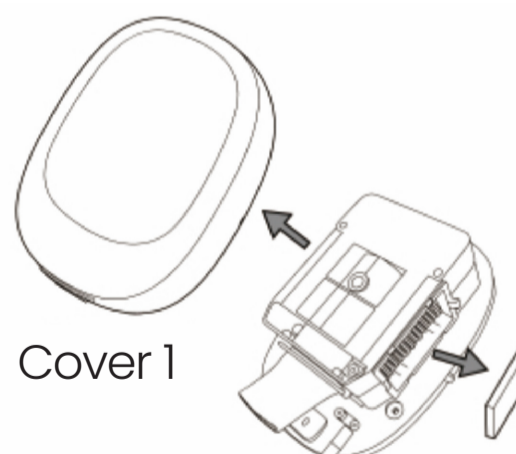
1. Remove the cover 1.



2. Flick the dust off the HEPA filter:
The HEPA filter must be replaced every 3 months.



3. Install the cover 1
back to the original position.



WARRANTY

1. High speed mini hand dryer are guaranteed to be free from defects in parts and manufacture for 24 months from the date of purchase.
2. The warranty is only available to the original purchaser and is not transferable.
3. If there are any defects with your hand dryer please contact the provider stating your invoice number, date of purchase, full name and address.
4. Do not attempt to repair or take apart the hand dryer yourself. If the hand dryer has been tampered with before it arrives with us, the warranty will be void.
5. The warranty will be void if user can not provided that the product is used under the normal operating conditions stated within the manual.
6. If your hand dryer occurs a problem outside of the warranty period, we offer a pay-for-service where we can collect and professionally repair your hand dryer.